

Roof Report

Prepared by Roofr

1004 New York Avenue, North Wildwood, New Jersey, United States
Bill Izganics

1914 sqft

18 facets

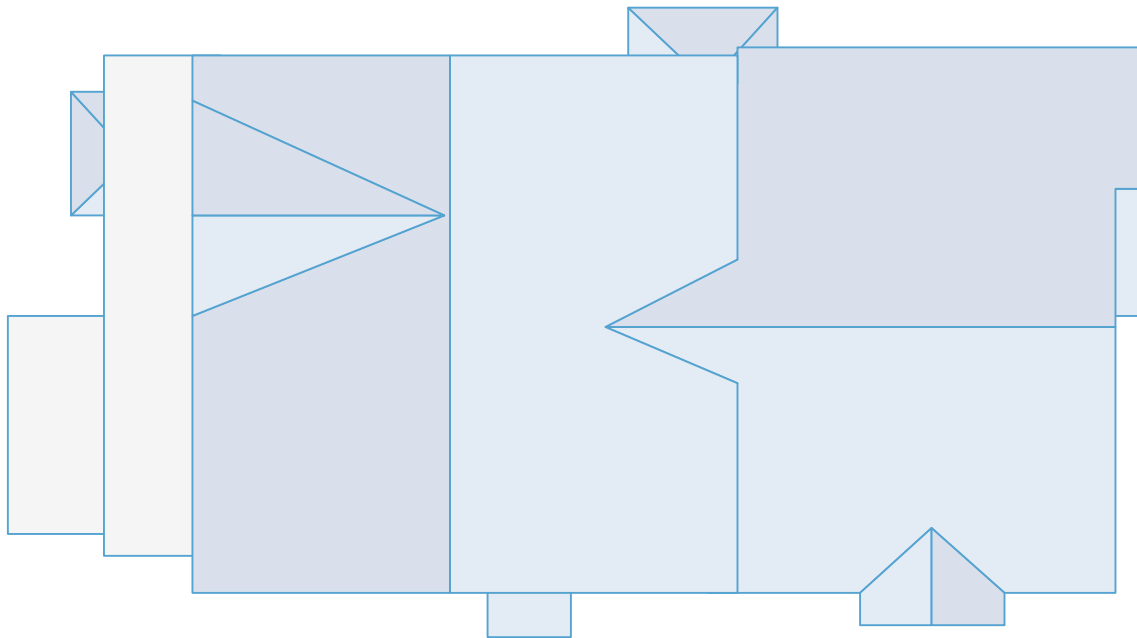
Predominant Pitch 7/12



Nearmap Feb 19, 2022

Diagram

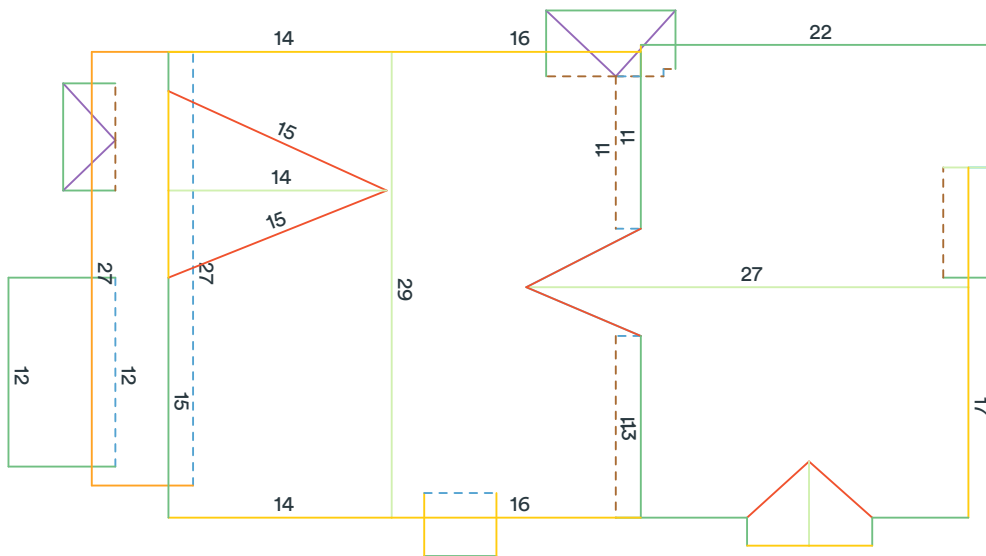
1004 New York Avenue, North Wildwood, New Jersey, United States



Length Measurement Report

1004 New York Avenue, North Wildwood, New Jersey, United States

- | | | |
|-------------------------|---------------------|------------------------|
| Eaves 137ft 3in | Valleys 56ft 7in | Hips 22ft 1in |
| Ridges 76ft 5in | Rakes 133ft 0in | Wall Flashing 47ft 2in |
| Step Flashing 47ft 10in | Transitions 0ft 0in | Parapet Wall 38ft 7in |
| Unspecified 16ft 9in | | |



Note: The above diagram contains measurements that have been rounded up. 6 and 9 are written ●6 and ●9 to avoid confusion. Some edge length totals have been hidden from the diagram to avoid overcrowding. Flashings are depicted as dotted lines.

Area Measurement Report

1004 New York Avenue, North Wildwood, New Jersey, United States

Total Roof Area: 1914 sqft

Pitched Roof Area: 1677 sqft

Flat Roof Area: 237 sqft

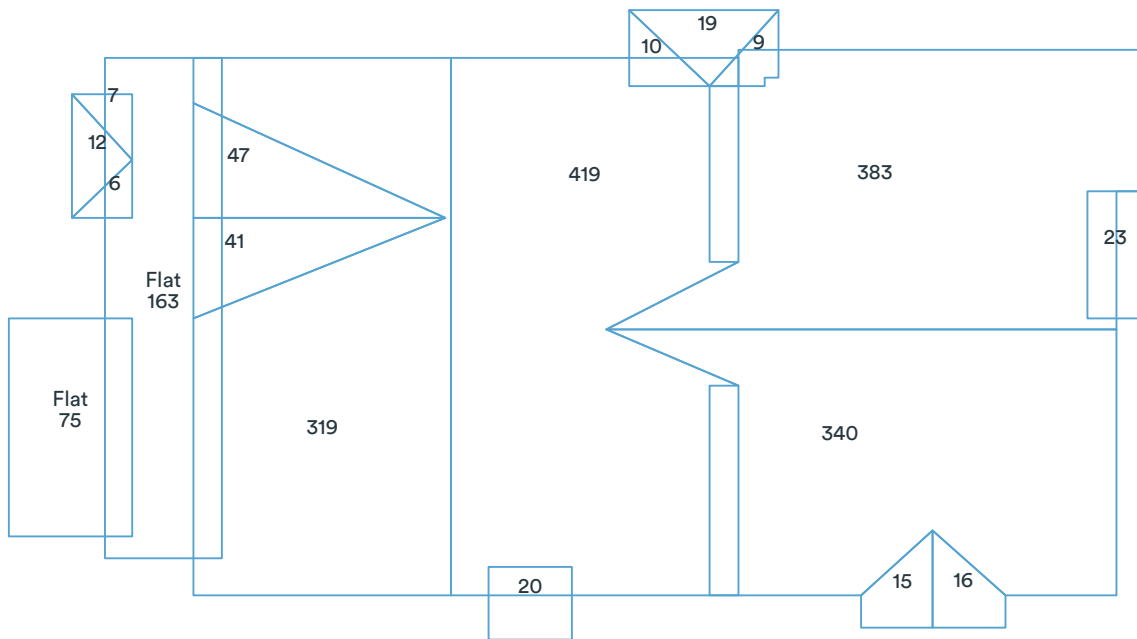
Two Story Area: 0 sqft

Two Layer Area: 0 sqft

Predominant Pitch: 7/12

Predominant Pitch Area: 940 sqft

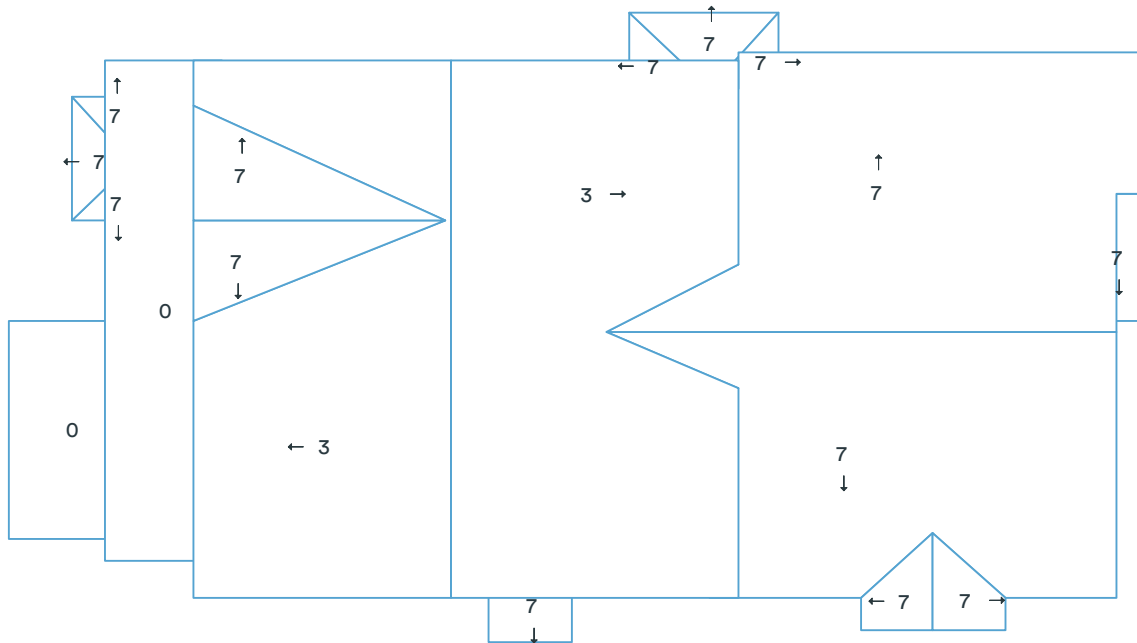
Unspecified Pitch Area: 0 sqft



Note: The above diagram contains measurements rounded to the nearest whole number. The total at the top of the page is the sum of all the unrounded (exact) measurements, which is then rounded. Flashings are depicted as dotted lines. Deleted facets, which are not labeled with area, (Skylights, Chimneys, AC units) are omitted from area sums.
This report was prepared by Roofr. Copyright © 2023 Roofr.com | All rights reserved.

Pitch & Direction Measurement Report

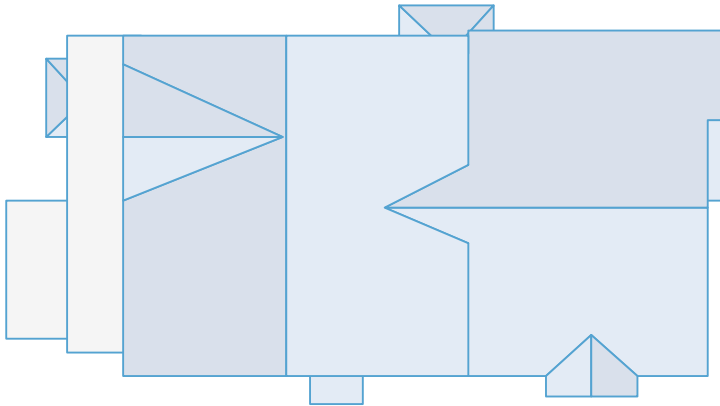
1004 New York Avenue, North Wildwood, New Jersey, United States



Note: Flashings are depicted as dotted lines. Deleted facets do not have a pitch and therefore are not labeled.

All Structures Summary

1004 New York Avenue, North Wildwood, New Jersey, United States



Measurements

Total Roof Area	1914 sqft
Total Pitched Area	1677 sqft
Total Flat Area	237 sqft
Total Roof Facets	18 facets
Predominant Pitch	7/12
Total Eaves	137ft 3in
Total Valleys	56ft 7in
Total Hips	22ft 1in
Total Ridges	76ft 5in
Total Rakes	133ft 0in
Total Wall Flashing	47ft 2in
Total Step Flashing	47ft 10in
Total Transition	0ft 0in
Total Parapet Walls	38ft 7in
Total Unspecified	16ft 9in
Hips + Ridges	98ft 6in
Eaves + Rakes	270ft 3in

Pitch	0/12	3/12	7/12
Area (sqft)	237	737	941
Squares	2.4	7.4	9.5

Waste %	0%	10%	12%	15%	17%	20%	22%
Area (sqft)	1,914	2,106	2,144	2,201	2,240	2,297	2,335
Squares	19.2	21.1	21.5	22.1	22.4	23.0	23.4

We've calculated the waste percentages you might expect for this job. A number of factors are involved in determining which waste percentage to use including: how complex the roof is, and your roof application style. These numbers only include the roof area. You will also need to calculate the quantity of materials you will need for hips, valleys, ridges, and starter lengths. This report was prepared by Roofr. Copyright © 2023 Roofr.com | All rights reserved.

Material Estimate

1004 New York Avenue, North Wildwood, New Jersey, United States

Product	Unit	Waste (0%)	Waste (10%)	Waste (15%)	Waste (20%)
Shingle (total sqft)		1,678 sqft	1,845 sqft	1,929 sqft	2,013 sqft
IKO - Cambridge	bundle	51	56	58	61
CertainTeed - Landmark	bundle	52	57	59	62
GAF - Timberline	bundle	52	57	59	62
Owens Corning - Duration	bundle	52	57	59	62
BP - Mystique	bundle	51	57	59	62
Starter (eaves + rakes)		271 ft	298 ft	311 ft	325 ft
IKO - Leading Edge Plus	bundle	3	3	3	3
CertainTeed - SwiftStart	bundle	3	3	3	3
GAF - Pro-Start	bundle	3	3	3	3
Owens Corning - Starter Strip	bundle	3	3	3	4
BP - Starter Strip	bundle	4	5	5	5
Ice and Water (eaves + valleys + flashings)		289 ft	318 ft	333 ft	347 ft
IKO - StormShield	roll	5	5	6	6
CertainTeed - WinterGuard	roll	5	5	6	6
GAF - WeatherWatch	roll	5	5	5	6
Owens Corning - WeatherLock	roll	4	5	5	5
BP - Weathertex	roll	5	5	6	6
Synthetic (total sqft; no laps)		1,678 sqft	1,845 sqft	1,929 sqft	2,013 sqft
IKO - Stormtite	roll	2	2	2	3
CertainTeed - RoofRunner	roll	2	2	2	3
GAF - Deck-Armor	roll	2	2	2	3
Owens Corning - RhinoRoof	roll	2	2	2	3
BP - PRODECK	roll	2	2	2	3
Capping (hips + ridges)		99 ft	109 ft	114 ft	119 ft
IKO - Hip and Ridge	bundle	3	3	3	3
CertainTeed - Shadow Ridge	bundle	3	3	3	3
GAF - Seal-A-Ridge	bundle	4	5	5	5
Owens Corning - DecoRidge	bundle	5	6	6	6
BP - Accu-Ridge	bundle	3	3	3	3
Other					
8' Valley (no laps)	sheet	8	8	9	9
10' Drip Edge (eaves + rakes; no laps)	sheet	28	30	32	33

These calculations are approximations and are not guaranteed. Always double check material orders quantities before using these calculations. The calculations are based off the the totals from the report of pitched facets only and the final numbers are rounded to the hundredths of the unit.

This report was prepared by Roofr. Copyright © 2023 Roofr.com | All rights reserved.